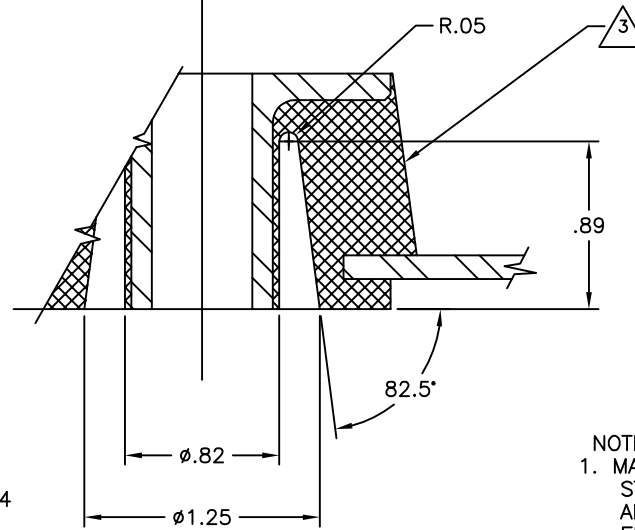
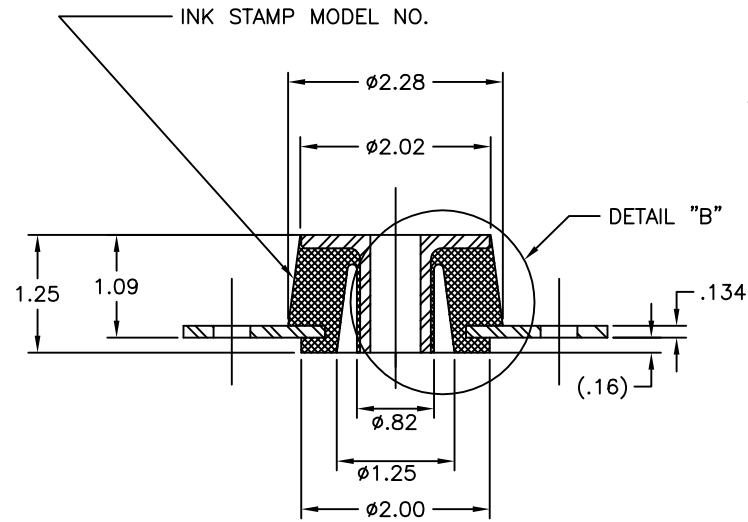
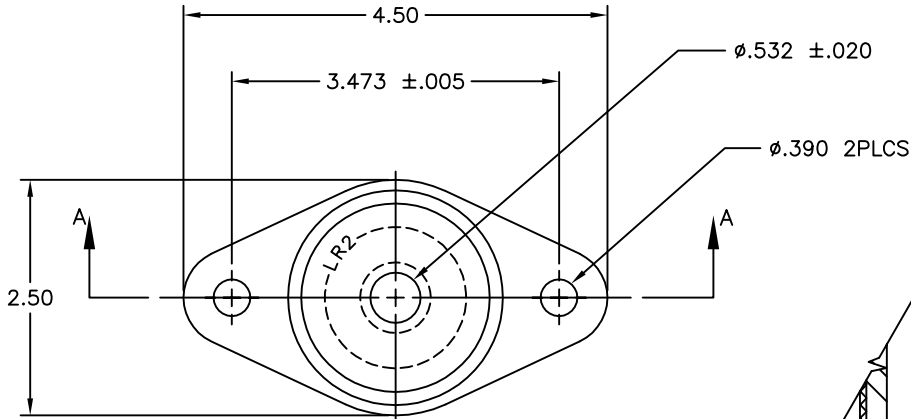


108R-103709 REV: 1

REV.	DESCRIPTION	DATE	BY

PART NUMBER	MODEL NUMBER	COMPOUND	DUROMETER	MAX. LOAD
770057-1	LR2-100	RC012	40	100 lbs.
770057-2	LR2-160	RC015	52	160 lbs.
770057-3	LR2-240	RC017	60	240 lbs.
770057-4	LR2-320	RC019	68	320 lbs.
770057-5	LR2-400	RC022	74	400 lbs.



DETAIL "B"  
SCALE: 2:1

- NOTES:
- MATERIALS:  
STRUCTURAL SECTIONS- CARBON STEEL  
AND/OR SINTERED METAL  
ELASTOMER- NEOPRENE
  - USE WITH WASHER P/N 148099-6
- △ MARK "KORFUND DYNAMICS", EMBOSSED  
IN .18 INCH HIGH RAISED LETTERS.

OTHER MATERIALS, COMPOUNDS, OR FINISHES WITH EQUAL OR SUPERIOR PROPERTIES MAY BE SUBSTITUTED AS THEY BECOME AVAILABLE.

**CERTIFIED FOR:**

JOB NAME: \_\_\_\_\_  
 CUSTOMER : \_\_\_\_\_  
 CUSTOMER P.O.: \_\_\_\_\_  
 SALES ORDER: \_\_\_\_\_

**MODEL LR2 100-400 LBS.  
 LOW PROFILE  
 ELASTOMERIC ISOLATOR**



**THE VMC GROUP**  
*The Power of Together*  
 Bloomingdale, NJ 07403  
 Houston, TX 77041

SCALE :

NONE

SHEET:



DRAWING NO.:

REVISION